



SmartNode

BMS | EMS | Monitoring | IoT

# Radio sensors for BMS and HVAC integrators

---

2025 catalogue



## About Enless



Enless, a manufacturer of radio sensors designed for energy efficiency and building comfort, has developed its expertise in the realms of Smart Building and IoT. Enless provides a catalog of radio sensors primarily utilizing the LoRaWAN protocol. Enless sensors cater to a clientele of BMS and HVAC integrators, facilitating the monitoring of comfort, air quality, and energy consumption within buildings.

Enless products supplant conventional cable pulling with a dependable and economical radio solution. Featuring high-capacity batteries, Enless sensors can be swiftly installed in various environments—commercial, residential, or industrial—and ensure prompt data transmission to your BMS or IoT network.

## Key metrics



**15**

years of expertise

**+500**

customers in

the globe

**400 000**

sensors deployed  
into circulation

**+20%**

of annual growth

## Technological expertise



Enless sensors utilize the LoRaWAN (Low Power Wide Area Network) protocol. This technology enables devices to communicate over extensive distances while minimizing energy consumption. Consequently, LoRaWAN sensors can function independently on batteries, transmitting their data via radio over several kilometers.





# Catalogue

A catalogue of **LoRaWAN sensors** specifically engineered for **Building Management System** applications.



# Comfort Air Quality



Sensors designed for room management and indoor air quality.



**T&H Sensor**

TX T&H AMB 600-021



**IAQ sensor**

TX CO2 T&H AMB 600-023

Available from June 2025



**Mini T°C Sensor**

TX TEMP MINI 600-050



**T&H Sensor**

TX T&H AMB 600-051



**T&H Sensor Display**

TX T&H AMB E-INK 600-052



**IAQ Sensor**

TX CO2 T&H 600-053



**PIR & Light Sensor**

TX LIGHT PIR T&H 600-061



**PIR Light T&H Sensor**

TX LIGHT PIR T&H 600-062



**Desk Sensor**

TX DESK 600-064

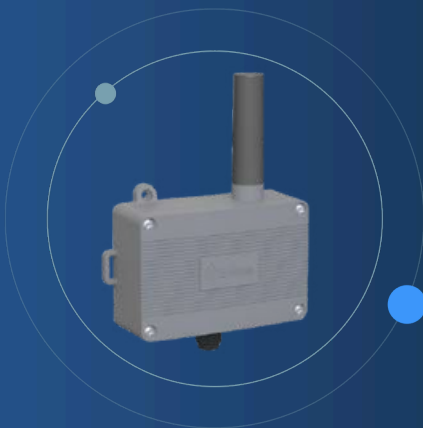


**Window Sensor**

TX WINDOW 600-065

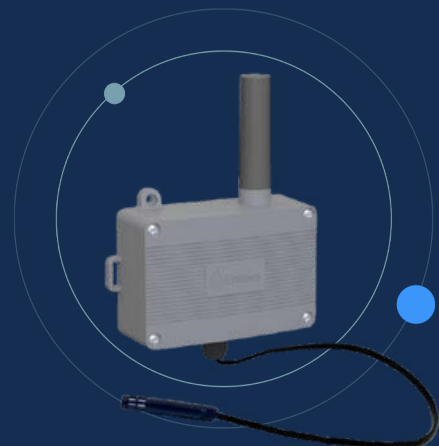
# Temperature Surveillance

Ruggedized sensors designed for temperature measurement in extreme environments.



**Hardened  
Temperature Sensor**

TX TEMP INS 600-031



**T&H Sensor  
External Probe**

TX T&H EXT 600-034



**Temperature Sensor  
Mono External Probe**

TX TEMP CONT1 600-032



**Temperature Sensor  
Dual External Probe**

TX TEMP CONT2 600-232

# Smart Metering

Effortlessly access meter data through our remote reading sensors.



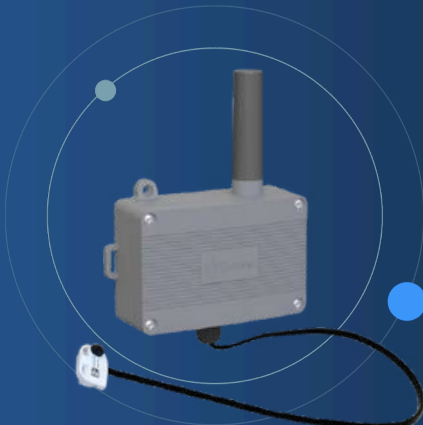
**Pulse Sensor**

TX PULSE 600-036



**ATEX-Certified Pulse Sensor**

TX PULSE ATEX 600-037



**Optical LED Reading Sensor**

TX PULSE LED 600-038



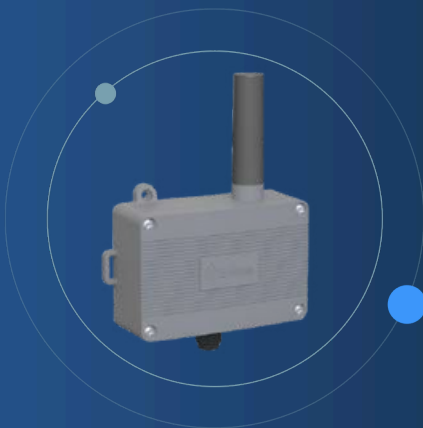
**Modbus Master Transmitter**

TX MODBUS 600-041

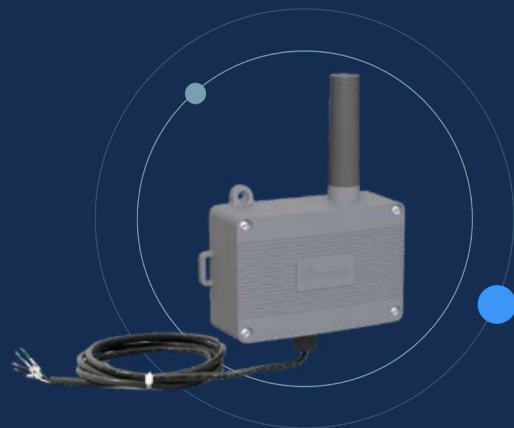


# Industrial Applications

Sensors designed for industrial applications



**Analog Sensor**  
4/20 mA  
TX 4/20 600-035



**ON/OFF Contact Sensor**  
TX CONTACT 600-039



**Leak Detection Sensor**  
TX CONTACT 600-039 + LEAK CABLE



**Actuator Transmitter**  
TX IO 600-040

# Proprietary LoRa protocol

Process data from Enless sensors on your BMS utilizing our proprietary receivers.



# Enless LoRa Receivers

## Streamlined integration with your BMS

Enless LoRa receivers facilitate the reception of data from Enless sensors (up to 50 sensors). This data is subsequently transformed into Modbus table or BACnet objects, enabling streamlined integration into your PLCs.



- Can manage up to 50 Enless sensors.
- Natively decodes data frames
- Available in Modbus or BACnet configurations.
- Process of ultra-simple installation



Modbus TCP/IP and RTU

Quick installation

Ref: RX MODBUS 500-302

BACnet IP and MSTP

Quick installation

Ref : RX BACNET 500-312

Receivers tailored for compatibility with the leading PLC's available in the market.

**DISTECH**  
CONTROLS

**TRIDIUM**

**SIEMENS**

**TREND**

**WIT**

**ISMA**  
CONTROLLI

**Schneider**  
Electric

**BECKHOFF**

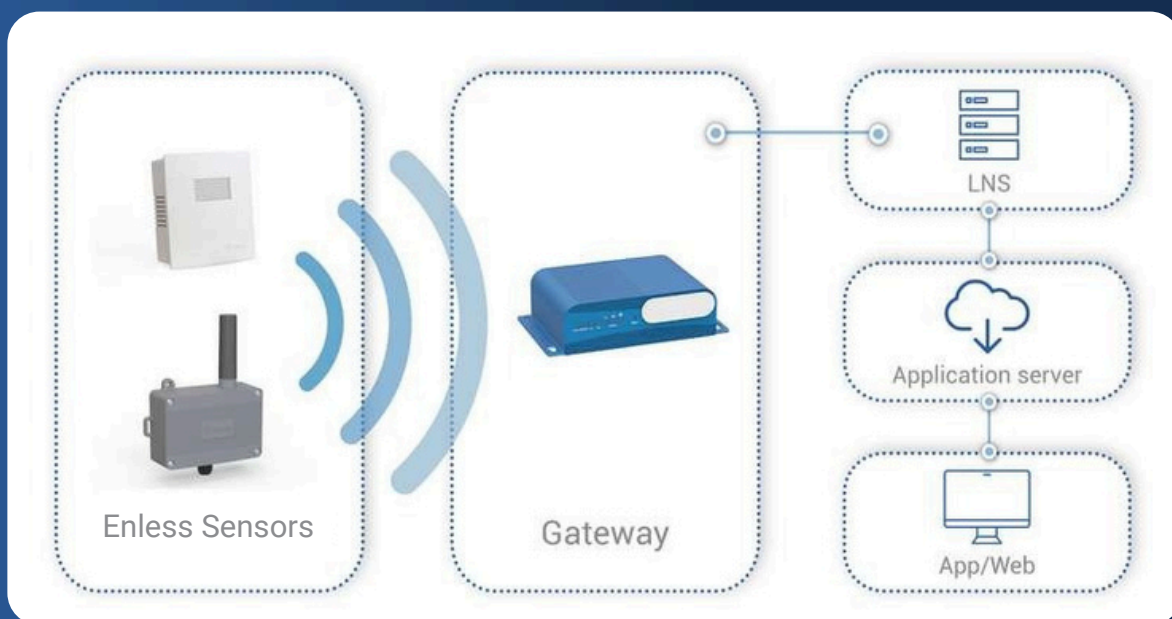


# LoRaWAN Configuration

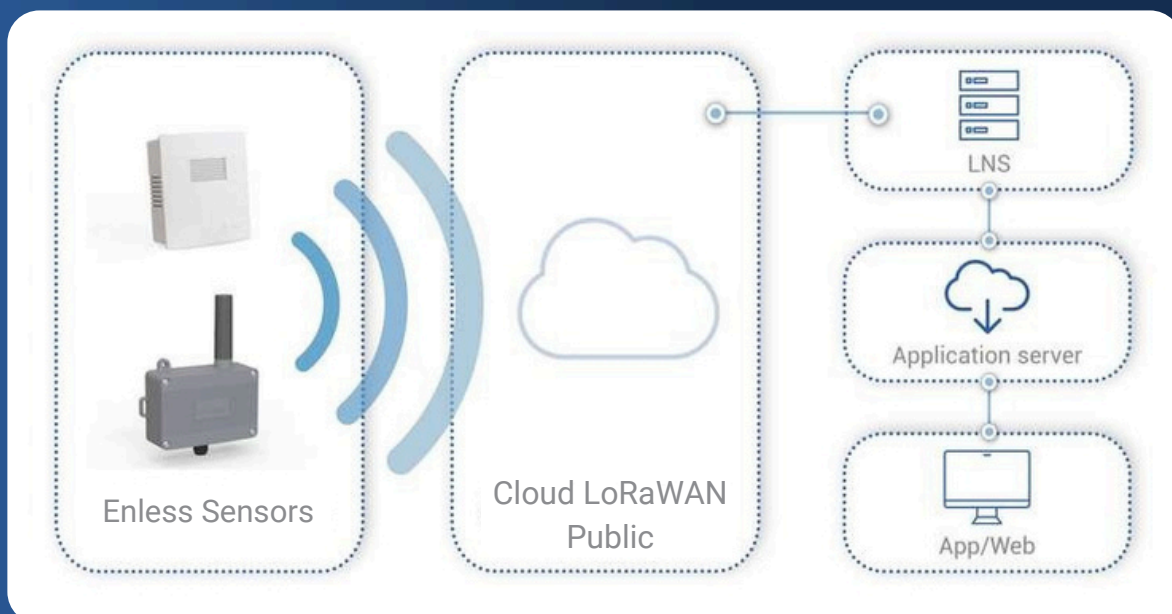
Enless sensors can also be utilized in LoRaWAN.

Enless sensors are capable of communicating in LoRaWAN mode as well. In a private LoRaWAN mode, data will be transmitted to a LoRaWAN gateway. In public LoRaWAN mode, they will transmit their data to a public LoRaWAN network.

## Private LoRaWAN configuration



## Public LoRaWAN configuration



Enless Wireless, a manufacturer of LoRa radio sensors designed for enhancing building comfort and energy efficiency.

A French manufacturer of wireless radio sensors committed to energy efficiency and building comfort since 2009, Enless Wireless specializes in Smart Building and IoT technologies.

Manufactured in France, Enless sensors cater to a clientele of BMS and HVAC integrators seeking a standalone and efficient radio solution to supplant conventional cable installation.



**SmartNode**  
**BMS | EMS | Monitoring | IoT**

**Get in touch with us**



Access to SmartNode website.



+36 52 226 922  
+36 30160 8900



iroda@smartnode.hu



<https://en.smartnode.hu/>