



LTWT10/PT1000

Lux transmitter

In- or outdoor lux transmitter with a passive PT1000 temperature sensor as well as DIP-switches for scaling the measuring range.

- ✓ Suitable for outdoor use, protection class IP65
- ✓ Built-in PT1000 temperature sensor
- ✓ Adjustable scaling from 0-1000 to 0-100000 lux

Application

By using the lux transmitter, the daylight usage is maximised, thus only the required amount of artificial lighting needs to be added. This makes it possible to achieve significant energy savings. Typical applications are buildings with generous daylight intake, such as schools and modern offices. The transmitter can also be used when controlling blinds, etc.

Function

The transmitter registers illuminance through the window on the lid and is equipped with a DIP switch for four different measuring ranges. It also has a built-in passive PT1000 sensor.

Note that the sensor's output signal for lux value cannot go below 0.4 V.

Installation

This product can be installed both indoors and outdoors.

The PT1000 sensor is not compensated for internal warm-up. Therefore the passive temperature output must be calibrated in a controller.

Technical data

Supply voltage	16...36 V DC, 24 V AC
Analogue output	0...10 V. Min. load resistance 10 k Ω .
Measuring range	0...1000 / 0...10000 / 0...50000 / 0...100000 lux
Accuracy, lux	± 10 %
Operating temperature	-30...+70 °C
Relative humidity	0...98 %, non-condensing
Connection	Screw clamps 1.5 mm ²
Weight	107 g
Dimensions (WxHxD)	59 x 65 x 37.5 mm
Protection class	IP65

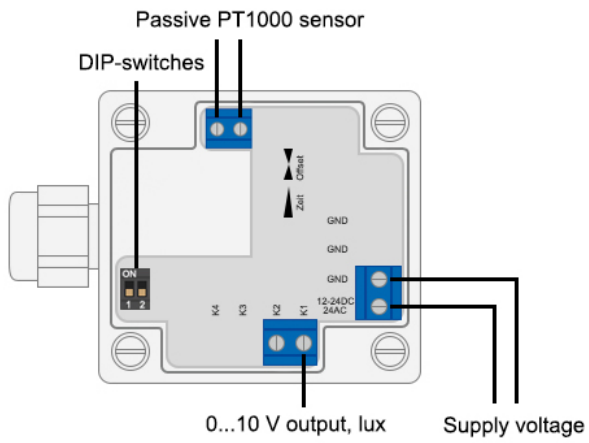
Models

Article	Description
LTWT10/PT1000	Lux transmitter

CE

This product carries the CE-mark. More information is available at www.regincontrols.com.

Wiring



Dimensions

Measurements in mm unless otherwise specified.

