



- Awarded design
- Simple installation

RU is a room unit from the Regio series. It should be connected to one of the Regio Maxi controllers RCP100, RCP100T, RCP200 or RCP200T.

Regio

Regio is a wide series of controllers which handle heating and cooling.

The controllers are divided into three different series, Mini, Midi and Maxi. Mini are pre-programmed, stand-alone controllers. The Midi controllers are pre-programmed with communication. The Maxi group, to which RU belongs, consists of freely programmable controllers with communication.

Applications

The Regio controllers are suitable in buildings where you want optimal comfort and low energy consumption, for example offices, schools, shopping centres, airports, hotels and hospitals etc.

Design

The room units have a modern design. The design has been awarded the 2007 "iF product design award".

The standard colour is white, but the frame and centre can be received in a number of different colours on inquiry. The units can be combined, offering many different effects.

Sensor

The room unit has a built-in sensor.



RU

Room unit for use with RCP

RU is a room unit intended for use together with Regio Maxi controllers.

- Built-in temperature sensor
- Cable for connection between the room unit and the RCP controller is available as accessory

Easy to install

The modular design with a separate bottom plate for wiring makes the whole Regio series easy to install and commission. The bottom plate can be put into place before the electronics are installed. Mounting is directly on the wall or on an electrical connection box.



Connection to RCP

The room unit is connected to the RCP-unit with an RJ12-cable, max length 30 m. Regin has two cables as accessories, RU-CBL3 (length 3 m) and RU-CBL10 (length 10 m).

Setpoint

In Occupied mode, the controller operates from a heating setpoint (FS=22°C) or a cooling setpoint (FS=24°C) that can be changed centrally or locally using the dipswitches on RU.

The setpoint can be adjusted up and down (FS=+/-3°C) with the knob on the front of the room unit. Switching between heating and cooling setpoints is done automatically in the controller depending on the heating and cooling requirement.

Indications

The room unit has an LED shaped like a thermometer on the front. A red indication is shown when heating control is functional and a blue indication when cooling control is active. No LED indication shows that neither heating nor cooling control is active.



Technical data

Supply voltage	Fed from RCP
Ambient temperature	0...50°C
Storage temperature	-20...+70°C
Ambient humidity	Max 90% RH
Protection class	IP20
Communication	Same as RCP
Built-in temperature sensor	NTC type, measuring range 0...50°C, accuracy +/-0.5°C at 15...30°C
Material, casing	Polycarbonate, PC
Weight	110 g
Colour	Cover: Polar white RAL9010 Bottom plate: Light gray

Is also available in other colours on inquiry, contact Regin for more information.

Cable for connection between RU and RCP Type RJ12, max length 30 m.

Cables that can be ordered from Regin

RU-CBL3 (length 3 m)

RU-CBL10 (length 10 m)



This product conforms with the requirements of European EMC standards CENELEC EN 61000-6-1 and EN 61000-6-3, and the requirements of European LVD standard IEC 60 730-1. It carries the CE mark.

Inputs and outputs

In RCP

Terminal blocks in RCP

So-called lift type for cable cross-section 2.1 mm²

Setpoint settings via Regio Tool®

Basic heating setpoint	5...40°C
Basic cooling setpoint	5...50°C
Setpoint displacement	+/-0...10°C (FS = +/-3°C)

Basic setpoint heating, setting with dipswitches

The ON-position is marked on the dipswitch. The cooling setpoint is 2°C higher.

Basic setpoint, heating (°C)	SW1	SW2
20	OFF	OFF
22 (FS)	OFF	ON
24	ON	OFF
26	ON	ON

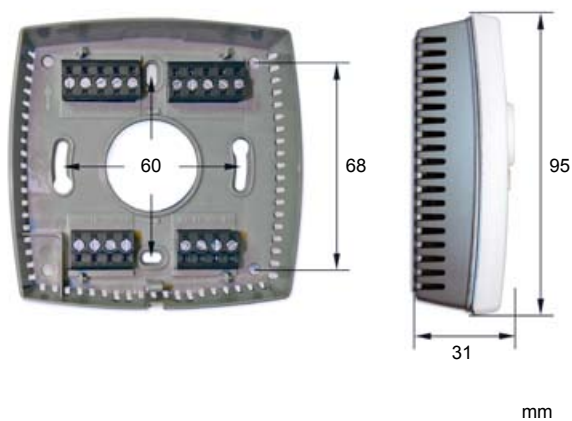
Other dipswitches

	ON	OFF	Comment
SW3	Stand-by	Occupied (FS)	Preset operating mode
SW4	-	-	Not used

Wiring

Terminal	Designation	Operation
10-33		No function
40	+5 V	+5 V supply voltage from RCP
41	N (0 V)	0 V supply voltage from RCP
42	A	RU-Bus A
43	B	RU-Bus B

Dimensions



Product documentation

Document	Type
Regio Maxi Manual	Manual for the controllers from the Regio Maxi series
Installation instruction Regio RU	Installation instruction for RU

All product documentation is available on www.regin.se.

Head Office Sweden
 Phone: +46 31 720 02 00
 Web: www.regin.se
 Mail: info@regin.se

Sales Offices
 France: +33 14 171 46 46
 Hong Kong: +852 24 07 02 81
 Singapore: +65 67 47 82 33
 Germany: +49 30 77 99 40