



RDAB10S-24A

Damper actuator, 10 Nm

Damper actuator with spring return for control of dampers during power failures. For 0...10 V control signal.

- Torque 10 Nm
- For dampers up to 2 m² in size
- 24 V AC/DC
- 0...10 V DC continuous control signal

RDAB10S-24A is a spring return actuator for operating air control dampers to an open or closed position during power failures.

Operation

When the supply voltage is connected, the actuator moves to a working position corresponding to the strength of the control signal (0...10 V DC.) The measuring voltage U permits the damper position (0...100%) to be set electrically and simultaneously serves as a control signal for additional actuators.

Simple direct mounting

The actuator is easy to mount directly onto the damper spindle using a universal spindle clamp. The actuator comes supplied with a double anti-rotation strap to prevent it from rotating.

Manual override

The damper can be adjusted manually and can be set to its desired position via the locking switch. The actuator can be made to resume normal operation either by resetting the locking switch or by reconnecting the supply voltage.

Adjustable angle of rotation

The angle of rotation can be adjusted using mechanical end stops.

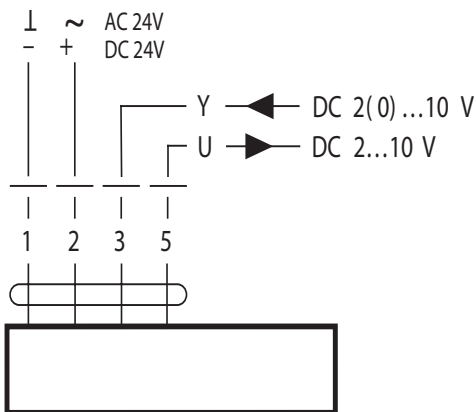
High functional reliability

The actuator is overload-proof and does not require any limit switches. It will halt automatically when the end stop is reached.

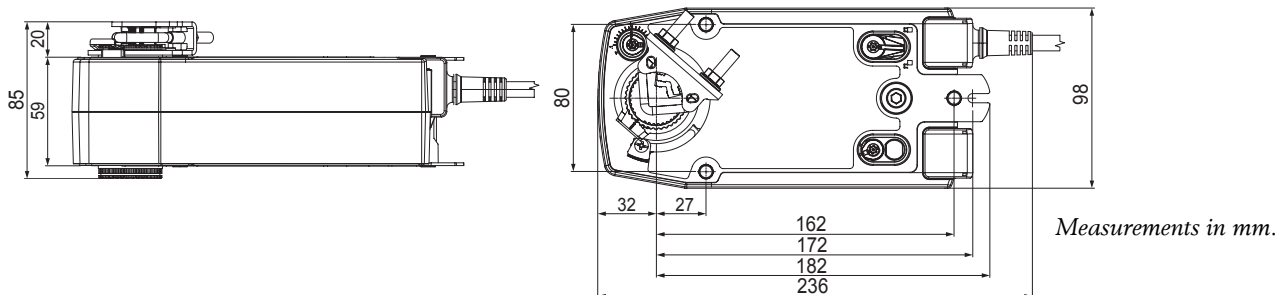
Technical data

Supply voltage	24 V AC/DC, 50/60 Hz
Nominal voltage	19.2...28.8 V AC / 21.6...28.8 V DC
Power consumption	
Running (at nominal torque)	3.5 W
Holding	2.5 W
For wire sizing	6.0 VA
Sound power level	Max. 50 dB (A)
Direction of rotation (motor)	Reversible by switch right/left
Direction of rotation (spring return)	Selectable by mounting L/R
Torque	Min. 10 Nm at rated voltage
Angle of rotation	Max. 95°, adjustable via locking switch
Running time (motor)	<150 s
Running time (spring return)	<20s
Position indication	Mechanical
Degree of protection	IP54
Ambient temperature	-30...+50°C
Storage temperature	-40...+80°C
Cable	1 m, 4 x 0.75 mm ²
CE	This product conforms to the requirements of European EMC standards 2004/108/EC. It also conforms to the Low Voltage Directive (LVD) 2006/95 EC and carries the CE mark.

Wiring



Dimensions



Head Office Sweden

Phone: +46 31 720 02 00
 Web: www.regin.se
 Mail: info@regin.se

Sales Offices

France: +33 1 41 71 00 34
 Germany: +49 30 77 99 40
 Spain: +34 91 826 54 06
 Hong Kong: +852 24 07 02 81
 Singapore: +65 67 47 82 33

REGIN

THE CHALLENGER IN BUILDING AUTOMATION