



TRT50(-420)

Temperature transmitter

TRT50(-420) is a range of high quality temperature transmitters for wall mounting

The transmitters are constructed around a temperature element providing a signal proportional to the temperature. The built-in electronics convert the measurement signal to an output signal 0...10 V DC or 4...20 mA.

Supply voltage

The transmitters can be powered either with 24 V AC or 15...35 V DC (0...10 V models), or 20...35 V DC (4...20 mA models). The transmitters will automatically adapt to the supply voltage.

Short facts about TRT50

- Excellent long-term stability
- Wide measurement range
- Accuracy +/- 0.5°C at 20°C
- Output signal 0...10 V DC or 4...20 mA
- Low power consumption (< 1 W)
- Supply voltage 24 V AC or 15...35 V DC
- Protection class IP65

Models

Model	Supply voltage	Unit range	Output signal	Measurement method	Mounting
TRT50	24 V AC \pm 20 % or 15...35 V DC	-20...100°C	0...10 V DC	3-wire	Wall mounting
TRT50-420	20...35 V DC	-20...100°C	4...20 mA	2-wire	Wall mounting

NOTE: A membrane in sintred brass is available as an accessory for TRT for use in heavily polluted environments.

Technical data

Supply voltage 24 V AC \pm 20 % or 15...35 V DC (0...10 V output signal),
alt. 20...35 V DC (4...20 mA)

Output signal
TRT50 0...10 V DC proportional to measuring range 0...+50°C
TRT50-420 4...20 mA

Load impedance
TRT50 Min. 10 k Ω
TRT50-420 Max. 500 Ω

Ambient temperature -5...+50°C
Storage temperature -20...+70°C

Measurement accuracy \pm 0.5°C at 20°C

Cable connection Terminal blocks, max. 1.5 mm

Sensor type KF6645 class DIN B, IEC 751

Protection class IP65

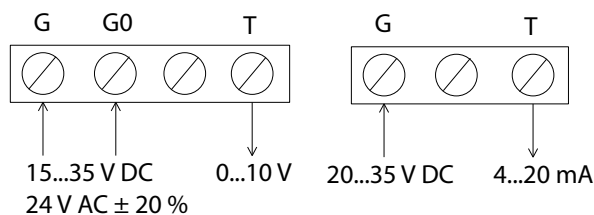
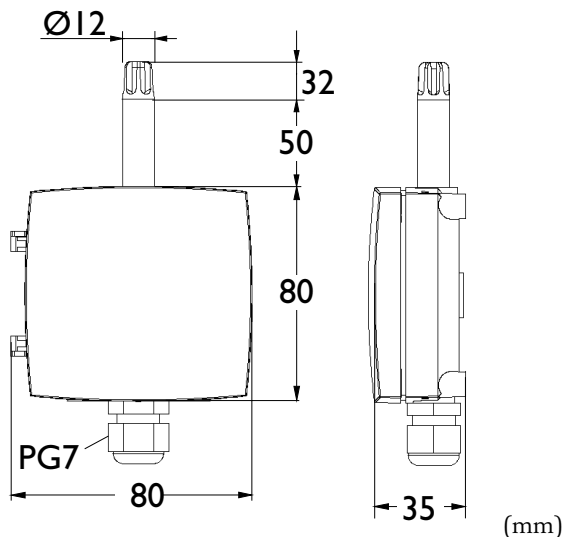
Weight 0.25 kg



EMC emissions and immunity standards: This product conforms to the requirements of the EMC Directive 2014/30/EU through product standards EN 61000-6-1, EN 61000-6-3, EN 61326-1 and EN 61326-2-3.

RoHS: This product conforms with the Directive 2011/65/EU of the European Parliament and of the Council.

Dimensions and wiring



Head office Sweden

Phone: +46 31 720 02 00

Web: www.regincontrols.com

Mail: info@regin.se

