

TG-R430

Room sensor with setpoint adjustment



For measuring room temperature. For use with the Aqualine, Pulser, TM and TTC series.

The scale can be locked with the screw under the cover. TG-R430 can also be used for setpoint adjustment only.

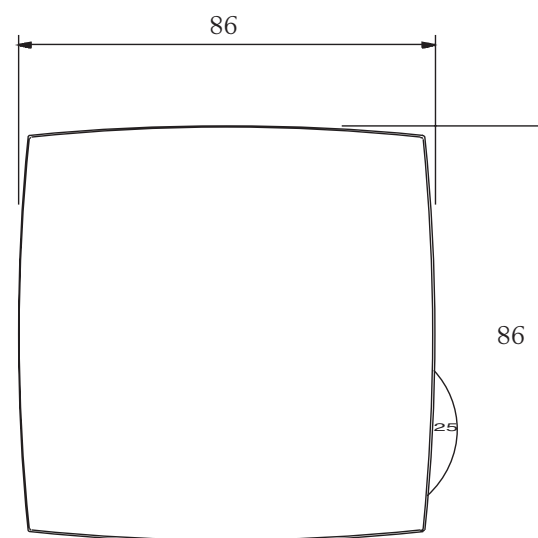
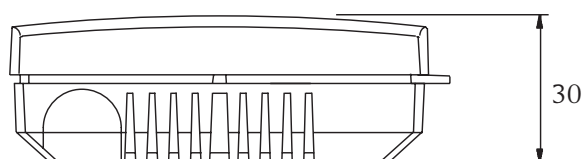
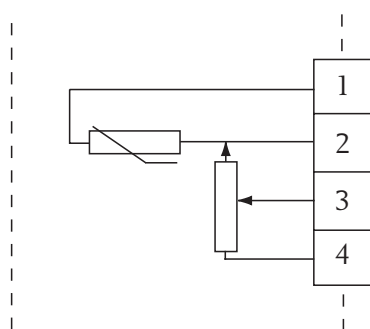
Models

Range	Article number
0...30°C	TG-R430

Technical data

Protection class	IP30
------------------	------

Wiring and dimensions



Measurements in mm unless otherwise specified.