



# EOR-3 / EOR230K-3

## Display and button function repeater

For central control and monitoring of up to 6 Corrigo/EXOcompact units within a distance of 1200 meters via the external display unit E3-DSP

### Usage

The EOR...-3 repeater is used to increase the distance between a Corrigo/EXOcompact and Regin's external display units E3-DSP. The repeater has a RS485 port and communicates via EXOline. The repeater enables connection of up to 6 units to the same external display.

Using the external display E3-DSP provides you with the same options for settings and configuration as if you were physically present at the controller. EOR...-3 enables you to easily change the names of your units, providing you with an excellent overview of your installation.

### With or without casing

The repeater can be ordered either as a loose unit for 24 V AC supply voltage (EOR-3) or pre-mounted in a casing, which includes a transformer that connects to 230 V AC (EOR230K-3).

### Short facts

- Connect up to 6 Corrigo/EXOcompact within a distance of 1200 meters to the E3-DSP external display unit
- The product can be ordered with or without casing

**Models**

Model	Supply voltage	Protection class	Mounting
EOR-3	24 V AC	IP20	DIN-rail
EOR230K-3	230 V AC	IP65	Wall

**Technical data**

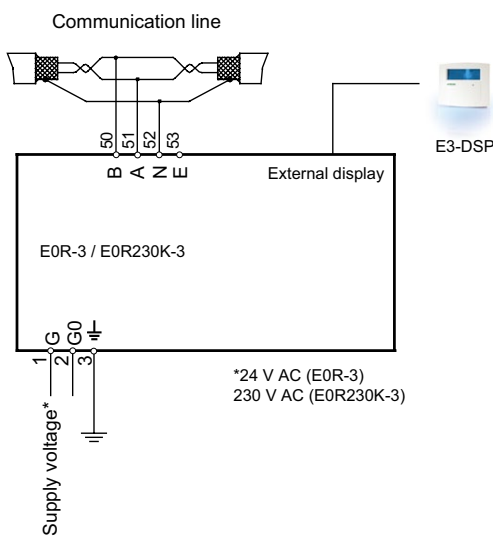
Max. total length of communication line 1200 m



This product conforms to the requirements of European EMC standards EN 61000-6-1 and EN 61000-6-3 as well as the requirements of LVD standard IEC 60 730-1. It carries the CE mark.

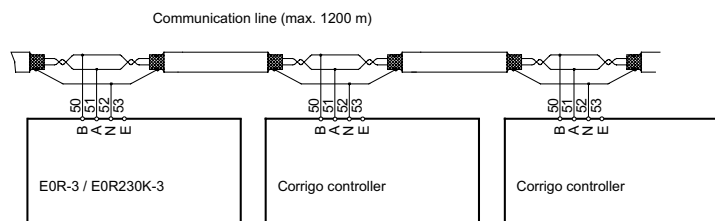
**RoHS:** This product conforms with the Directive 2011/65/EU of the European Parliament and of the Council.

**Wiring**



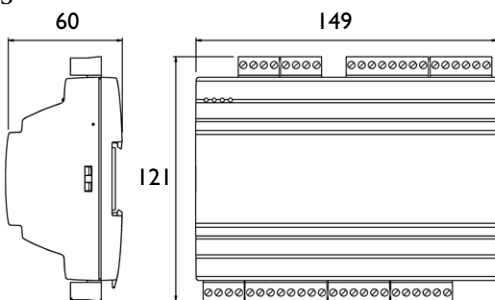
**Wiring of RS485 communication line**

Use a shielded, twisted-pair cable. Connect A to A and B to B. Connect the screen to N.

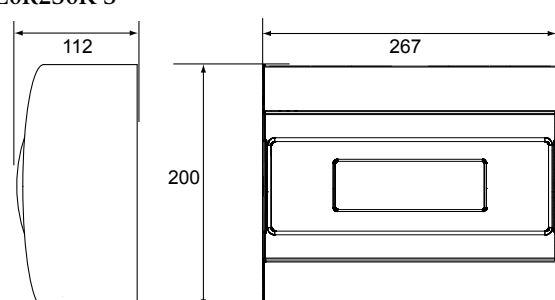


**Dimensions**

**EOR-3**



**EOR230K-3**



(mm)

**Product documentation**

Document	Type
Corriego product sheet	Information about Corriego for ventilation and heating
Corriego manuals	
Instruction EOR-3	Instruction for EOR-3 and EOR230K-3
Product sheet E3-DSP	Information on E3-DSP - external display unit for Corriego/EXOcompact
Instruction E3-DSP	

All product documentation is available at [www.regincontrols.com](http://www.regincontrols.com).

**Head office Sweden**

Phone: +46 31 720 02 00  
 Web: [www.regincontrols.com](http://www.regincontrols.com)  
 Mail: [info@regin.se](mailto:info@regin.se)



THE CHALLENGER IN BUILDING AUTOMATION